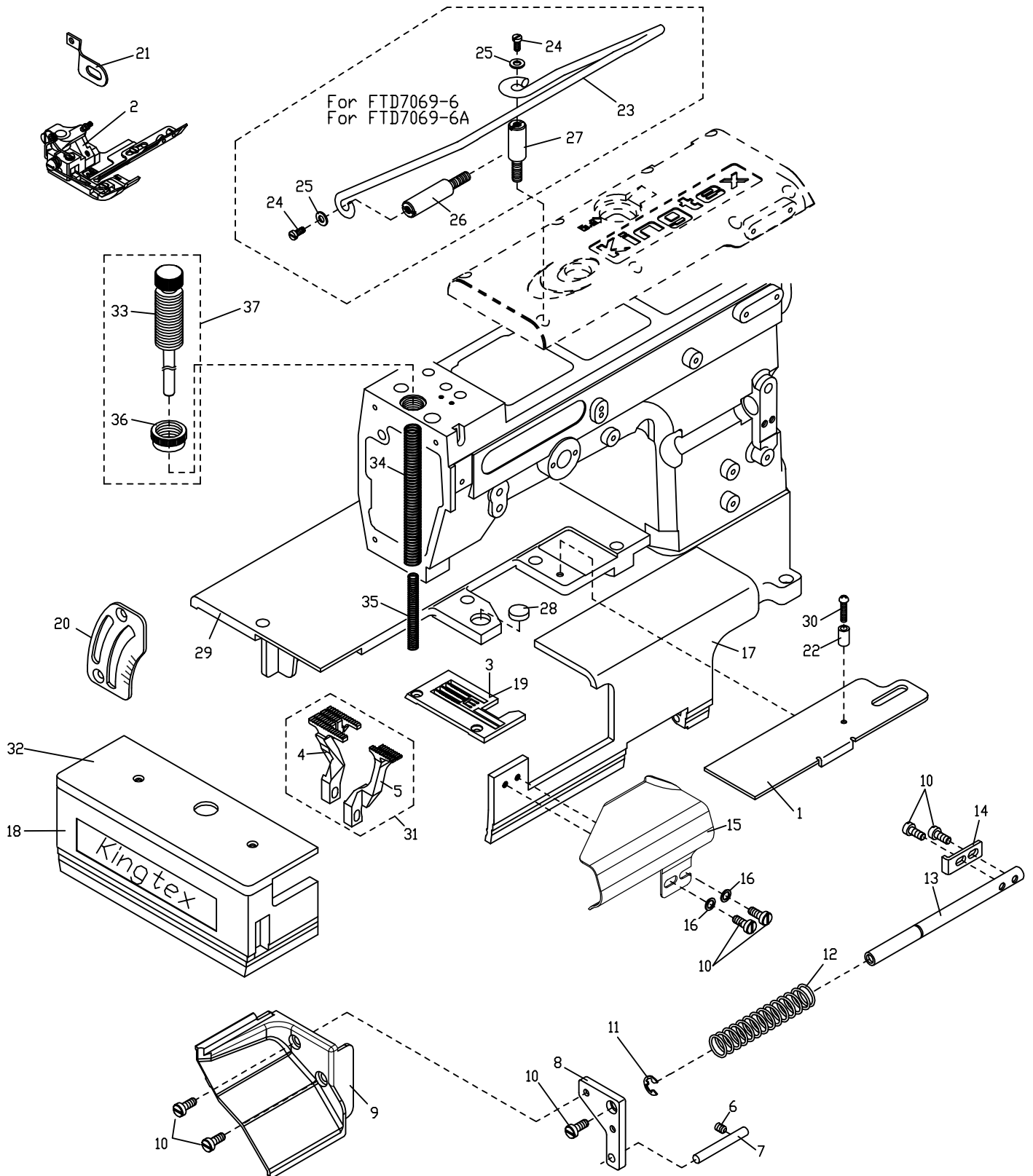


1. FT7069-2 / FTD7069-2 / FTD7069-6 / FTD7069-6A 壓腳, 針板, 送布齒及各項護蓋
 Press Foot, Needle Plate, Feed Dog And Conservation Covers



序號 Ref.No.	名稱 Description	針距 Distance of Needles				
		3.2	4.0	4.8	5.6	6.4
2	壓腳 Presser Foot	5228PF69321	5228PF69401	5228PF69481	5228PF69561	5228PF69641
△3	針板 Needle Plate	5228TP69321	5228TP69401	5228TP69481	5228TP69561	5228TP69641
4	主送布齒 Main Feed Dog	5228FD69561	5228FD69561	5228FD69561	5228FD69561	5228FD69561
5	副送布齒 Diff Feed Dog	5228DF69320	5228DF69320	5228DF69320	5228DF69560	5228DF69560
31	送布齒組 Feed Dog Asm.	5228DG00051	5228DG00051	5228DG00051	5228DG00011	5228DG00011
△△19	針板 Needle Plate	5228TP69323	5228TP69403	/	5228TP69563	5228TP69643

△ For M Type △△ For L Type

1. FT7069-2 / FTD7069-2 / FTD7069-6 / FTD7069-6A

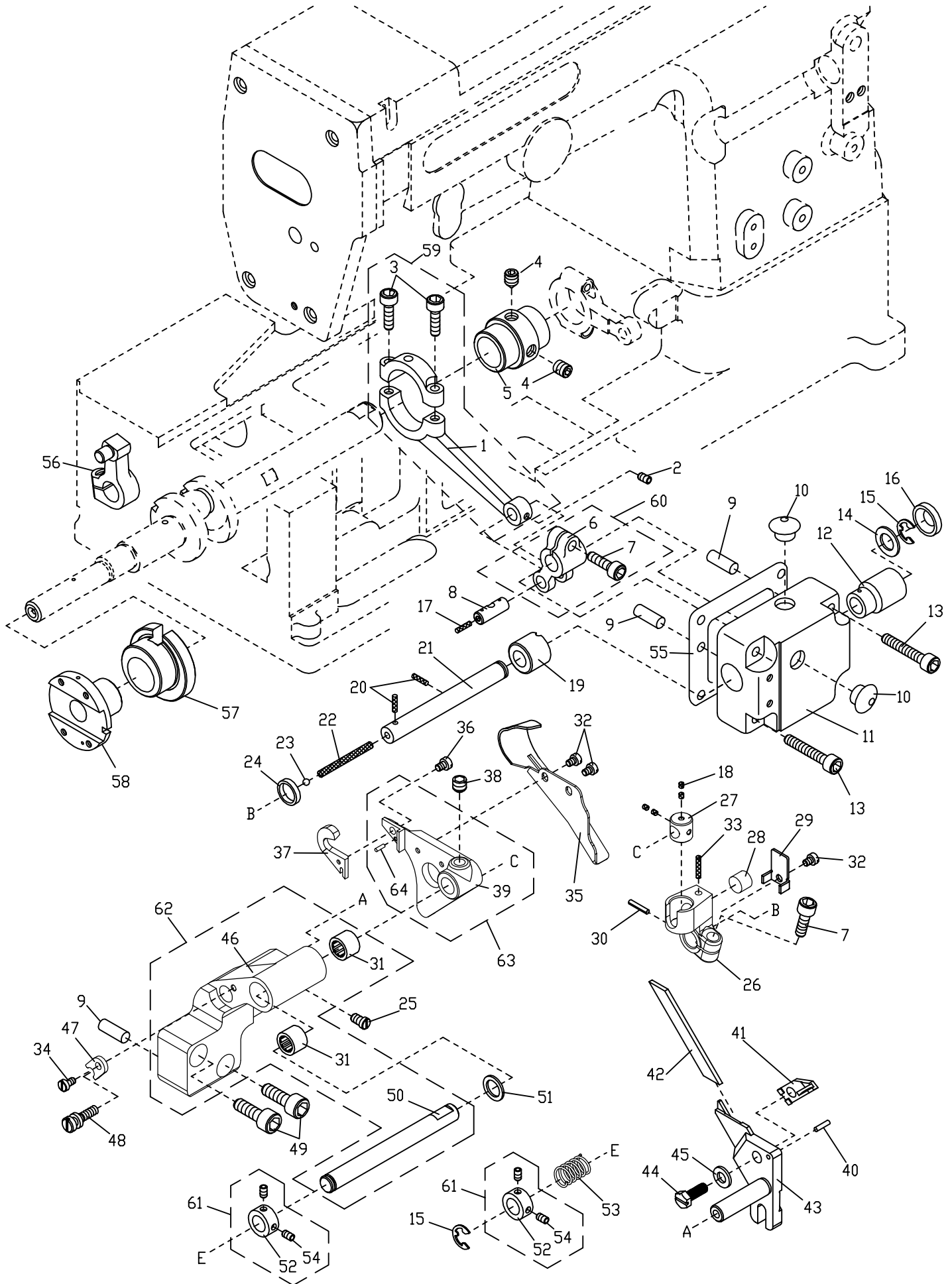
壓腳,針板,送布齒及各項護蓋列表

Press Foot, Needle Plate, Feed Dog And Conservation Covers

Ref.No. 序號	Parts No. 物料編號	Description 名稱	Amt. Req. 單位用量
1	22100901011	護線蓋 Cloth Plate -----	1
2	-----	壓腳 Presser Foot Asm -----	1
△3	-----	針板 Throat Plate -----	1
4	-----	主送布齒 Main Feed Dog -----	1
5	-----	副送布齒 Diff Feed Dog -----	1
6	8MN04280400A	螺絲 Screw (CT0229 M4-0.7*4) -----	1
7	2280690107	導桿 Slide Guide -----	1
8	2280690108	固定板 Cover Support -----	1
9	2280690109	導布屑 Chip Guide -----	1
10	8MB04281007K	螺絲 Screw (CT1237 M4-0.7*10) -----	7
11	90ER060	E形扣環 E Ring (CT0532) -----	1
12	2210090112	彈簧 Spring -----	1
13	2280690113	滑桿 Slide Bar -----	1
14	2210090114	止動片 Stopper -----	1
15	2280690115	導模 Edge Guide -----	1
16	2100000223	墊圈 Washer (SH0223) -----	2
17	2280690117	下座前蓋 Front Cover -----	1
18	2280390118	側蓋 Side Cover -----	1
△ △ 19	-----	針板 Throat Plate -----	1
20	2210390128	差動刻記板 Regulator Plate -----	1
21	2210390129	護指環 Safety Plate Holder -----	1
22	2210090120	手柄 Spacer -----	1
*23	4TB0000101	帶架 Tape Holder (FTB0101)-----	1
*24	8MC04281207D	螺絲 Screw(CT0102 M4-0.7*12) -----	2
*25	2100000223	墊圈 Washer (W3) -----	2
*26	4TB0000103	螺椿 Stud (FTB0103) -----	1
*27	2210600116	螺椿 Stud (FT600116) -----	1
28	2210090126	磁鐵 Magnet -----	1
29	2210090127	封蓋 Rear Cover -----	1
30	8MC03201306D	螺絲 Screw (UTB0335 M3-0.5*12.5) -----	1
31	-----	送布齒組 Feed Dog Asm. -----	1
32	2280690141	左布板 Cloth Plate -----	1
33	2280690145	壓力調整螺椿 Spring Regulator -----	1
34	2280690146	彈簧 Spring -----	1
35	2280690147	彈簧 Spring -----	1
36	2220000803	螺帽 Nut -----	1
37	228A0690148	壓力調整螺椿組 Spring Regulator Asm. -----	1

* For FTD7069-6 / FTD7069-6A 用

2. FT7069 / FT7069-2 / FTD7069-2 / FT7069-4 / FTD7069-4 / FTD7069-6 / FTD7069-6A
 上,下刀驅動機構 Right Hand Upper And Lower Knives Driving Mechanism Components



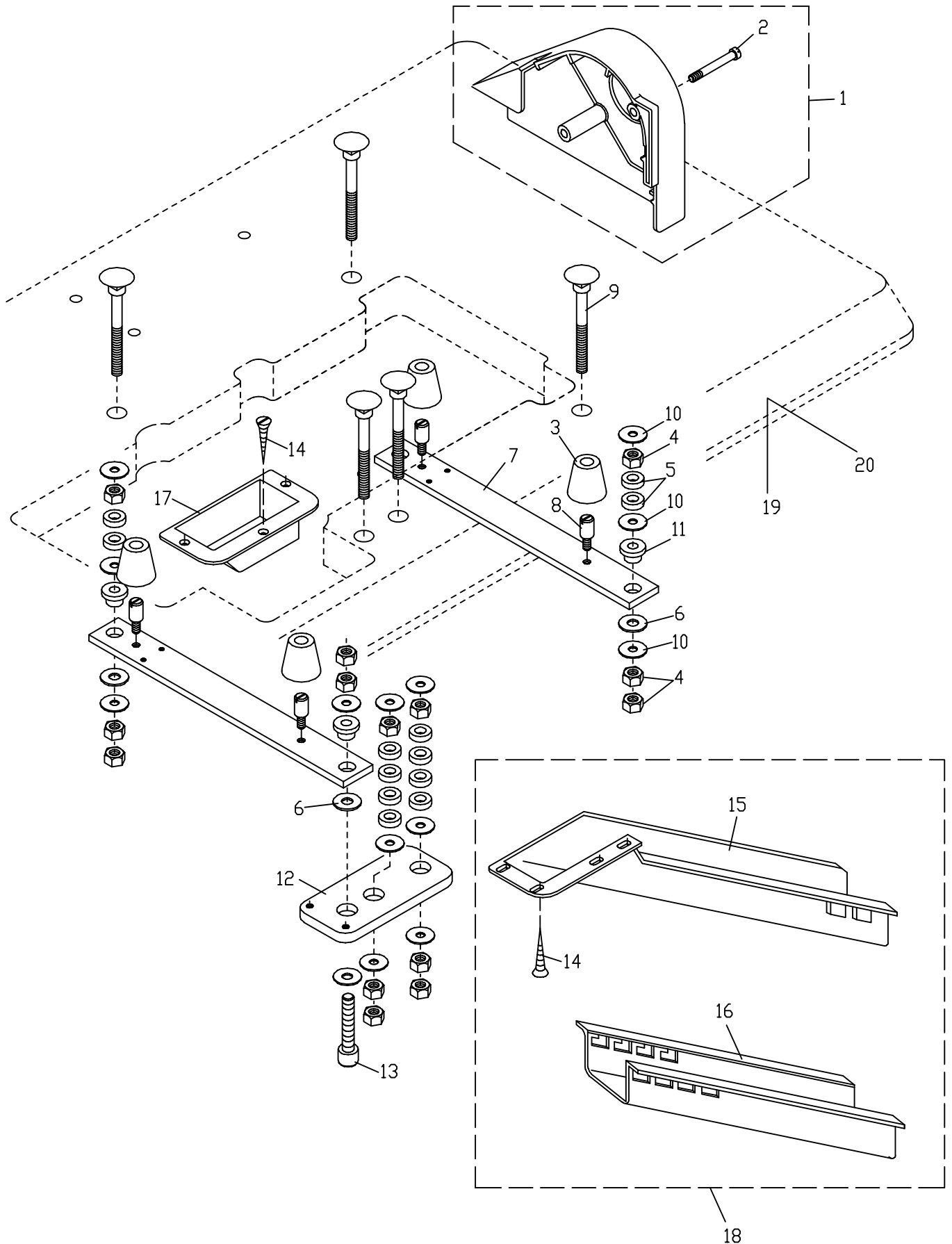
2. FT7069 / FT7069-2 / FTD7069-2 / FT7069-4 / FTD7069-4 / FTD7069-6 / FTD7069-6A

上、下刀驅動機構列表 Right Hand Upper And Lower Knives Driving Mechanism Components

序號 Ref.No.	物料編號 Parts No.	名稱 Description	單位用量 Amt. Req.
1	2210090201	連桿 Connecting Rod -----	1
2	8MN03200400C	螺絲 Screw (CT1242 M3-0.5*4)-----	1
3	8MM04281407A	螺絲 Screw (FT1003 M4-0.7*14)-----	2
4	8MN05320500E	螺絲 Screw (CT0903 M5-0.8*5)-----	2
5	2210090205	偏心輪 Eccentric -----	1
6	2210090206	曲柄 Lever -----	1
7	8MM05321209A	螺絲 Screw (FT0524 M5-0.8*12)-----	2
8	2210090208	曲柄銷 Rod Pin -----	1
9	2210090209	定位銷 Knock Pin -----	3
10	22000001091	孔塞 Seal Plug -----	2
11	2210090211	軸承座 Bracket -----	1
12	2210090212	軸襯 Bushing -----	1
13	8MM04282507B	螺絲 Screw (FT0719 M4-0.7*25)-----	4
14	2210000533	墊圈 Washer -----	1
15	90ER060	E形扣環 E Ring -----	2
16	22100902161	孔塞 Plug -----	1
17	66800	油線 Oil Wick -----	4
18	66800	油線 Oil Wick -----	1
19	2210090219	軸襯 Bushing -----	1
20	66800	油線 Oil Wick -----	2
21	2210090221	軸 Shaft -----	1
22	66800	油線 Oil Wick -----	1
23	2210090223	孔塞 Plug -----	1
24	2210090224	油封 Oil Seal -----	1
25	8MB04280705K	螺絲 Screw (FT1036 M4-0.7*7)-----	1
26	2280690226	曲柄 Lever -----	1
27	2280690227	擺動軸承 Rocker Bearing-----	1
28	2280690228	羊毛氈 Felt -----	1
29	2280690229	夾簧 Latch Spring -----	1
30	90SP0206	彈簧銷 Spring Pin -----	1
*31	90NB0812103	滾針軸襯 Needle Bearing.-----	2
32	8MB03200405A	螺絲 Screw (FT0548 M3-0.5*4)-----	3
33	66800	油線 Oil Wick -----	1
34	8MB03200506K	螺絲 Screw (CT0525 M3-0.5*5)-----	1
35	2280690235	導布屑 Chip Guard -----	1
36	8SB32440604K	螺絲 Screw (FT70690236 1/8"-44*5.5)-----	1
37	22806902371	上刀 Upper Knife -----	1
38	8MN06400500A	螺絲 Screw (C0513 M6-1*5)-----	1
*39	22806902391	上刀座 Upper Knife Holder Asm. -----	1
40	90ST0208	定位銷 Knock Pin -----	1
41	2210090241	壓板 Lower Knife Clamp -----	1
42	2210090242	下刀 Lower Knife -----	1
43	2280690243	下刀座 Lower Knife Holder -----	1
44	8SK44401207A	螺絲 Screw (FT70690244 11/64"-40*12)-----	1
45	2100000526	墊圈 Washer -----	1
*46	2280690246	下刀台 Lower Knife Holder Bracket -----	1
47	2280690247	止動片 Rotation Stopper -----	1
48	2280690248	螺樁 Stud -----	1
49	8MM06402010A	螺絲 Screw (SH0444 M6-1*20)-----	2
*50	2280690250	軸 Shaft -----	1
51	2280690251	墊圈 Washer -----	1
52	2210000534	定位環 Collar -----	2
53	2280690253	彈簧 Spring -----	1
54	8MN03200300A	螺絲 Screw (C0115 M3-0.5*3)-----	4
55	2210090255	油封 Gasket -----	1
56	2210390256	曲柄 Lever -----	1
57	2210600135	變距偏心輪 Regulating Eccentric (FT600135)-----	1
58	2210600136	進給偏心輪 Eccentric(FT600136)-----	1
59	221A0090256	連桿組 Connecting Rod Asm.-----	1
60	221A0090257	曲柄組 Lever Asm.-----	1
61	221A0000563	定位環組 Collar Asm. -----	2
62	228A0690262	刀台組 Bracket ASM. -----	1
*63	228A06902631	上刀座 Upper Knife Holder Asm. -----	1
*64	90ST0105	定位銷 Knock Pin -----	1

*: 需整組購買 Must be sold in complete set

3. FT6539 / FT6339-2 / FT7039 / FT7039-2 / FT7069 / FT7069-2 / FTD7069-2 / FT7069-3
 FT7069-3A / FT7069-4 / FTD7069-4 / FT7069-5 / FTD7069-5 / FTD7069-6
 FTD7069-6A / FTD7069-7 / FTD7069-7A 車頭承載及導布屑裝置
 Supporting Board And Chute Components



3. FT6539 / FT6539-2 / FT7039 / FT7039-2 / FT7069 / FT7069-2 / FTD7069-2
 FT7069-3 / FT7069-3A / FT7069-4 / FTD7069-4 / FT7069-5 / FTD7069-5
 FTD7069-6 / FTD7069-6A / FTD7069-7 / FTD7069-7A

車頭承載及導布屑裝置列表 Components Supporting Board And Chute

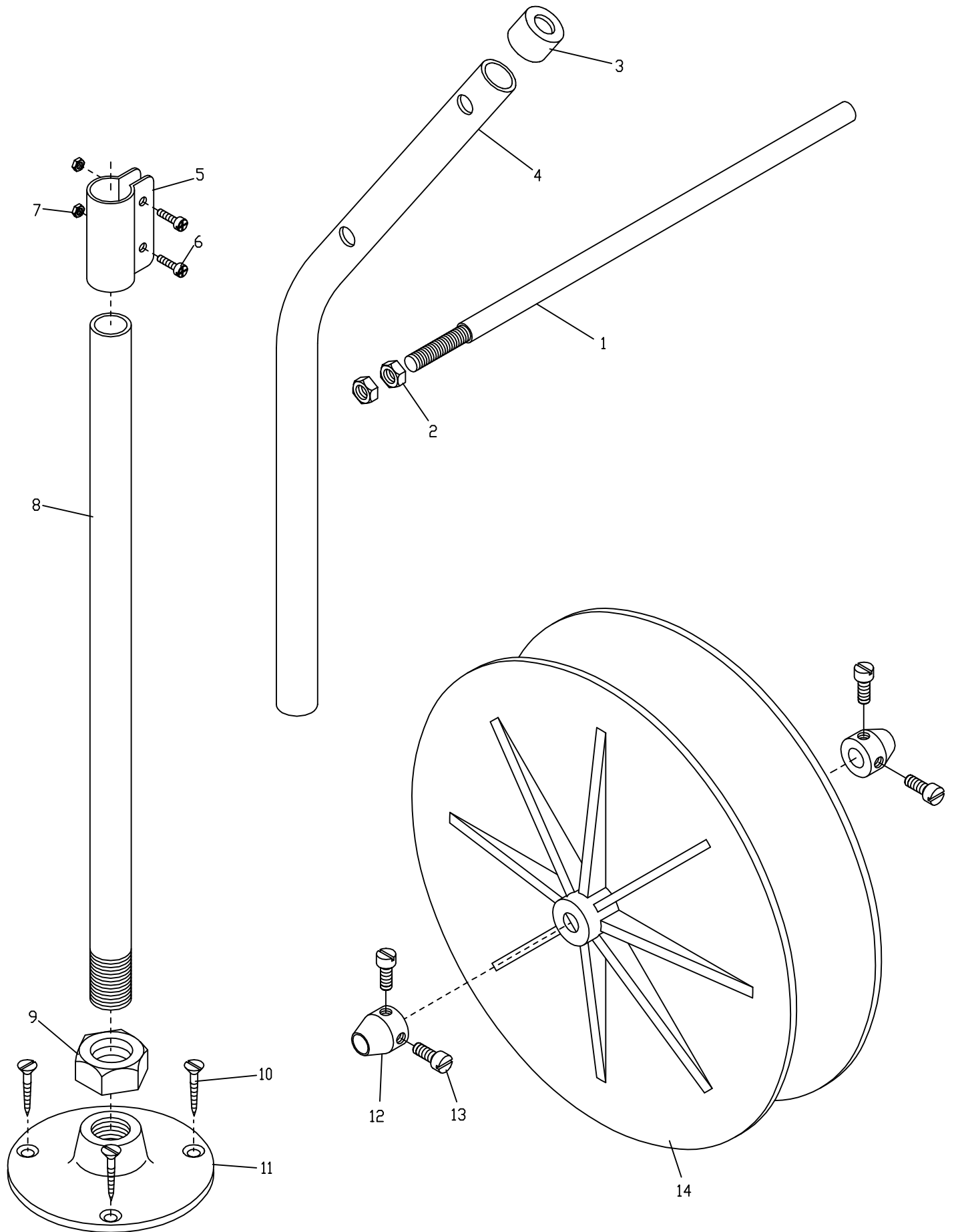
序號 Ref.No.	物料編號 Parts No.	名稱 Description	單位用量 Amt. Req.
*1	2200001501	皮帶蓋 Belt Cover -----	1
*2	8MB06404609S	螺絲 Screw (CT1502 M6-1*46) -----	2
3	66945	減震橡膠 Rubber Cushion -----	4
4	8SA79180613A	螺帽 Nut (CT1514 5/16"-18*6)-----	17
5	2210001505	隔環 Spacer -----	14
6	2200001513	橡膠墊圈 Rubber Washer -----	4
7	2210001507	車頭承板 Supporting Board -----	2
8	8MB06401512M	螺樁 Bolt (FT1508 M6-1*10) -----	4
9	8SC79189627B	懸吊螺樁 Bolt (CT1509 5/16"-18*63)-----	5
10	2200001510	墊圈 Washer -----	17
11	2200001511	橡膠環 Rubber Washer -----	4
12	2210090612	承板 Chute Support -----	1
13	2210090613	螺絲 Screw -----	1
14	2210090614	木螺釘 Wood Screw -----	7
15	2210090615	上導布屑 Chute (Upper) -----	1
16	2210090616	下導布屑 Chute (Lower) -----	1
17	2210090617	導布屑 Chute -----	1
18	221A0090618	布漏組 Chute Asm. -----	1
**19	66812-9	車板 Table -----	1
***20	66812-3	車板 Table -----	1

* : FT6539 / FT6539-2 / FT7039 / FT7039-2 / FT7069 / FT7069-2 / FT7069-3 / FT7069-3A 用

** : FTD7069-2 / FTD7069-4 / FTD7069-5 / FTD7069-6 / FTD7069-6A / FTD7069-7 / FTD7069-7A 用

*** : FT6539 / FT6539-2 / FT7039 / FT7039-2 / FT7069 / FT7069-2 / FT7069-3 / FT7069-3A / FT7069-4 / FT7069-5 用

4. TS003 滾條架 Tape Stand

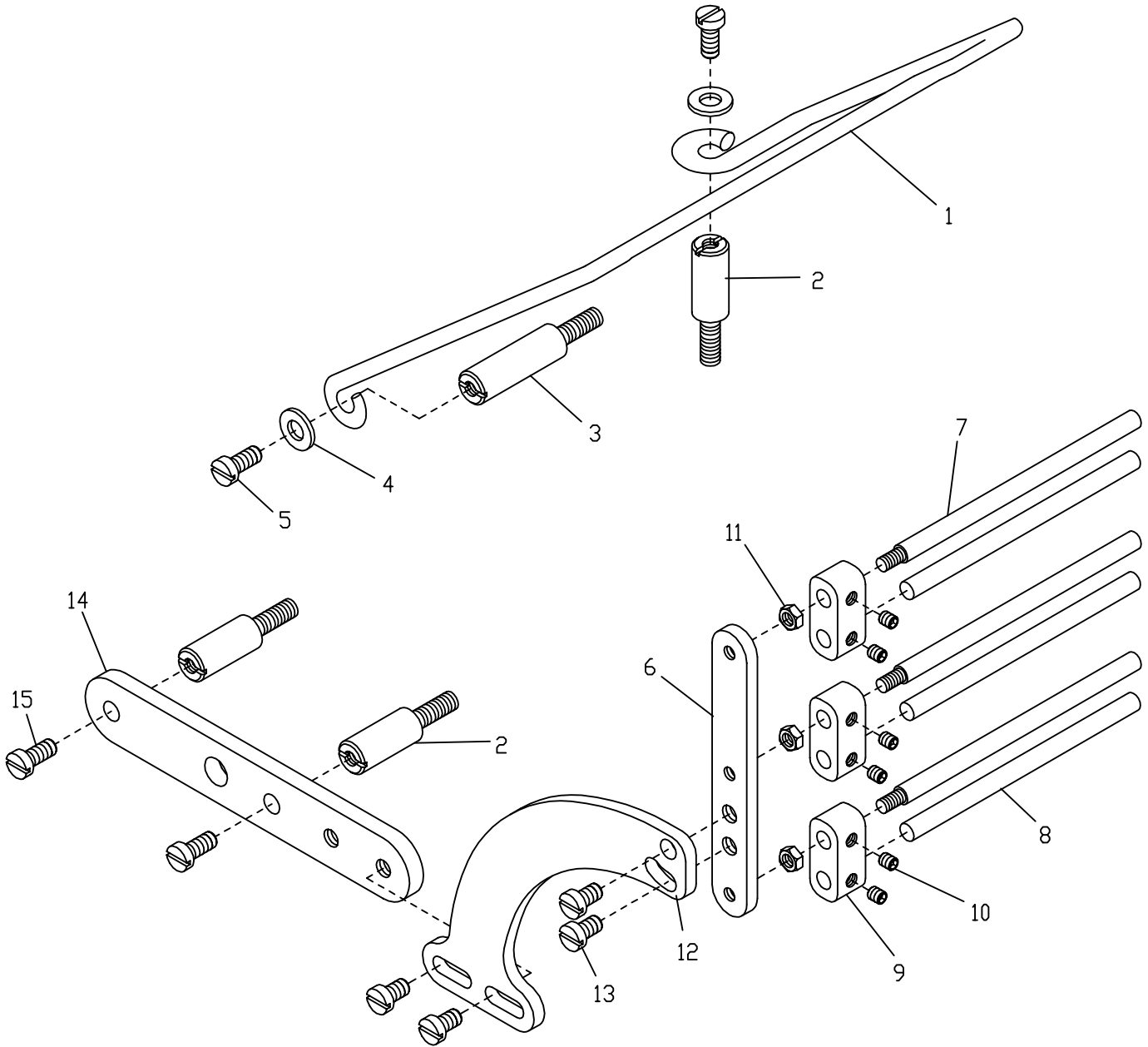


4. TS003 滾條架 Tape Stand

序號 Ref.No.	物料編號 Parts No.	名稱 Description	單位用量 Amt. Req.
1	4TS0030101	軸 Shaft -----	1
2	8SA79180613A	螺絲 Screw (CT1514 5/16"-18*6) -----	2
3	4TS0060103	柱帽 Rod Cup -----	1
4	4TS0060104	上柱 Upper Thread Stand Rod -----	1
5	4TS0060105	接頭 Bracket -----	1
6	8SC48321708D	螺絲 Screw -----	2
7	8SA48320409B	螺帽 Nut -----	2
8	4TS0060108	下柱 Lower Thread Stand Rod -----	1
9	4TS0060109	螺帽 Nut -----	1
10	8WF50202210A	木螺絲 Wood Screw -----	3
11	4TS0060111	座 Stand Base -----	1
12	4TS0030112	限動環 Stop Collar -----	2
13	8SH56320500A	螺絲 Screw -----	4
14	4TS0050101	承盤 Plastic Plate -----	2

5. FT6539-2 / FT7039-2 / FT7069-2 / FTD7069-2 導模裝置

Fabric Guide Components For FT6539-2 / FT7039-2 / FT7069-2 / FTD7069-2



5. FT6539-2 / FT7039-2 / FT7069-2 / FTD7069-2 導模裝置

Fabric Guide Components For FT6539-2 / FT7039-2 / FT7069-2 / FTD7069-2

Ref.No. 序號	Parts No. 物料編號	Description 名稱	Amt. Req. 單位用量
1	4TB0000101	帶架 Tape Holder -----	1
2	2210600116	螺樁 Stud -----	3
3	4TB0000103	螺樁 Stud -----	1
4	2100000223	墊圈 Washer (W3) -----	6
5	8MB04280807K	螺絲 Screw (CT0215 M4-0.7*8) -----	2
6	4TB0000106	支架 Holder -----	1
7	4TB0000107	導帶桿 Tape Guide -----	3
8	4TB0000108	導帶桿 Tape Guide -----	3
9	4TB0000109	帶位調整塊 Tape Guide Adjusting Holder -----	3
10	8MN03200300A	螺絲 Screw (CT0115 M3-0.5*3) -----	6
11	8MA03200306A	螺帽 Nut (FTB0111 M3-0.5*3) -----	3
12	4TB0000112	支架 Holder -----	1
13	8MB04280507K	螺絲 Screw (FT0235 M4-0.7*5) -----	2
14	4TB0000114	支架 Holder -----	1
15	8MB04281007K	螺絲 Screw (CT1237 M4-0.7*10) -----	4